



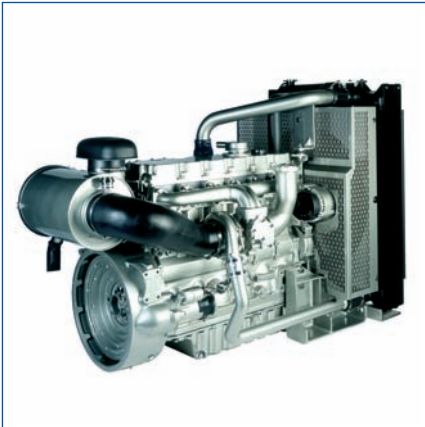
# 1100 Series

## 1106D-E66TA

### Industrial Open Power Unit

129 kW (173 hp) @ 2200 rev/min

129 kW (173 hp) @ 2500 rev/min



#### Powered by Your Needs

The Perkins 1106D-E66TA IOPU range offers a choice of ratings and standard build configurations to match the power needs of customers for a diverse range of applications.

#### State of the Art Design

The Perkins 1106D utilises components of Caterpillar ACERT™ technology. This provides excellent fuel economy and low heat rejection.

#### Worldwide Power Solution

The 1106D has been designed to be worldwide fuel tolerant, including kerosene, jet aviation fuel and 5% biofuel (RME). Options are available to meet local market needs.

#### Product Support

- Perkins actively pursues product support excellence by ensuring our distribution network invest in their territory - strengthening relationships and providing more value to you, our customer
- Through an experienced global network of distributors and dealers, fully trained engine experts deliver total service support around the clock, 365 days a year. They have a comprehensive suite of web based tools at their fingertips covering technical information, parts identification and ordering systems, all dedicated to maximising the productivity of your engine
- Throughout the entire life of a Perkins engine, we provide access to genuine OE specification parts and service. We give 100% reassurance that you receive the very best in terms of quality for lowest possible cost .. wherever your Perkins powered machine is operating in the world

#### Lower Operating Costs

The 1106D maintains Tier 2 / Stage II fuel economy. Service intervals are set at 500 hours as standard and Perkins provides comprehensive warranty cover for 2 years (up to 3000 hours), with 3 years on major engine components. Low usage warranty package is also available.

#### Long Term Power Solution

The 1106D IOPU range has been designed to fully comply with stringent EPA Tier 3 / EU Stage IIIA emissions regulations for mobile applications, providing an emissions compliant power solution going forward.

Compliant to Tier 3 / Stage IIIA emissions, the 1106D-E66TA is the latest addition to the common platform concept of 1100 Series diesel engines. Assembled on a new high technology production line, this ultra clean engine will provide a superior replacement for the 1106C-E60TA Tier 2 / Stage II engine. Frequent computerised checks during the production process ensure high build quality excellence is maintained.

The new engine boasts considerable increases to delivered power, torque and noise reduction. These have been achieved through changes to the manifold and combustion areas, turbocharger geometry, increased cylinder displacement and significantly, the inclusion of a high pressure, common rail fuel system. This new engine incorporates components of Caterpillar ACERT™ technology.

Perkins new 1106D-E66TA IOPU range has a complete fuel system, air cleaner and radiator supplied as standard. Choice is provided to customers through the availability of a large variety of standard specifications incorporating a choice of fan, alternator, front PTO, and air compressor.

# 1100 Series

## 1106D-E66TA

### Engine Specification

#### Air inlet

- Mounted air filter and turbocharger

#### Cooling system

- Fan (pusher or puller)
- Fan drive
- Radiator
- Water pump

#### Electric equipment

- Alternator (12 or 24 volt)
- Starter motor (12 or 24 volt)

#### Flywheel and housing

- Flywheel
- SAE 3 flywheel housing

#### Fuel system

- Fuel filter

#### Literature

- User's Handbook

#### Lubrication system

- Oil cooler and filter
- Timing case oil filler

#### Mountings

- Engine mounting brackets

#### PTO

- SAE A or SAE B front PTO (142/280 Nm)

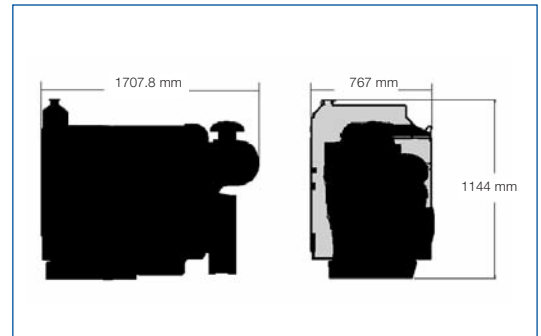
#### Start aids

- Glow plugs

### IOPU Options

The 1106D-E66TA IOPU range offers a wide choice of standard build specifications to meet specific customer needs:

- 12 or 24 volt alternator
- Pusher or puller fan
- SAE A or SAE B front PTO (142/280 Nm)  
SAE B provides 63 kW/85 hp
- Air compressor



### General Data

Number of cylinders	Vertical in-line 6 cylinder
Bore and stroke	105 mm x 127 mm
Displacement	6.6 litres
Aspiration	Turbocharged air-to-air aftercooling
Cycle	4 stroke
Combustion system	Direct injection
Compression ratio	16.2:1
Rotation	Anti-clockwise viewed on flywheel
Cooling system	Water
Dimensions	Length 1707.8 mm Width 767 mm Height 1144 mm
Dry weight	709 kg
Wet weight	752 kg

Height is above mounting feet. Length includes a fitted air cleaner  
Final weight and dimensions will depend on completed specification

Rating	Net Intermittent* kW (hp)	Maximum Torque (Nm)
129 kW (173 hp) @ 2200 rpm	121 (162.2)	693 @ 1400
129 kW (173 hp) @ 2500 rpm	117 (156.9)	695 @ 1400

\*Intermittent service: maximum power and/or speed are cyclic (time at full load not to exceed 50%)



### Perkins Engines Company Limited

Peterborough PE1 5NA  
United Kingdom  
Telephone +44 (0)1733 583000  
Fax +44 (0)1733 582240  
[www.perkins.com](http://www.perkins.com)

Distributed by